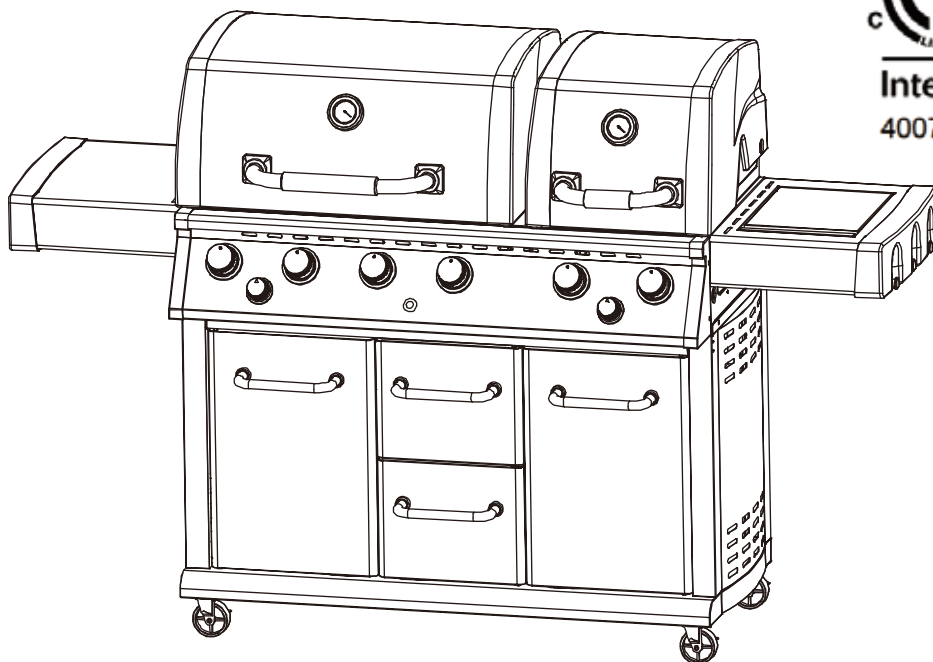




Customer Service  
1-800-618-6798

# ASSEMBLY GUIDE

Model: MG6001-R



## Mirage Two Split Lids 6-Burner Gas Grill

### FOR YOUR SAFETY!

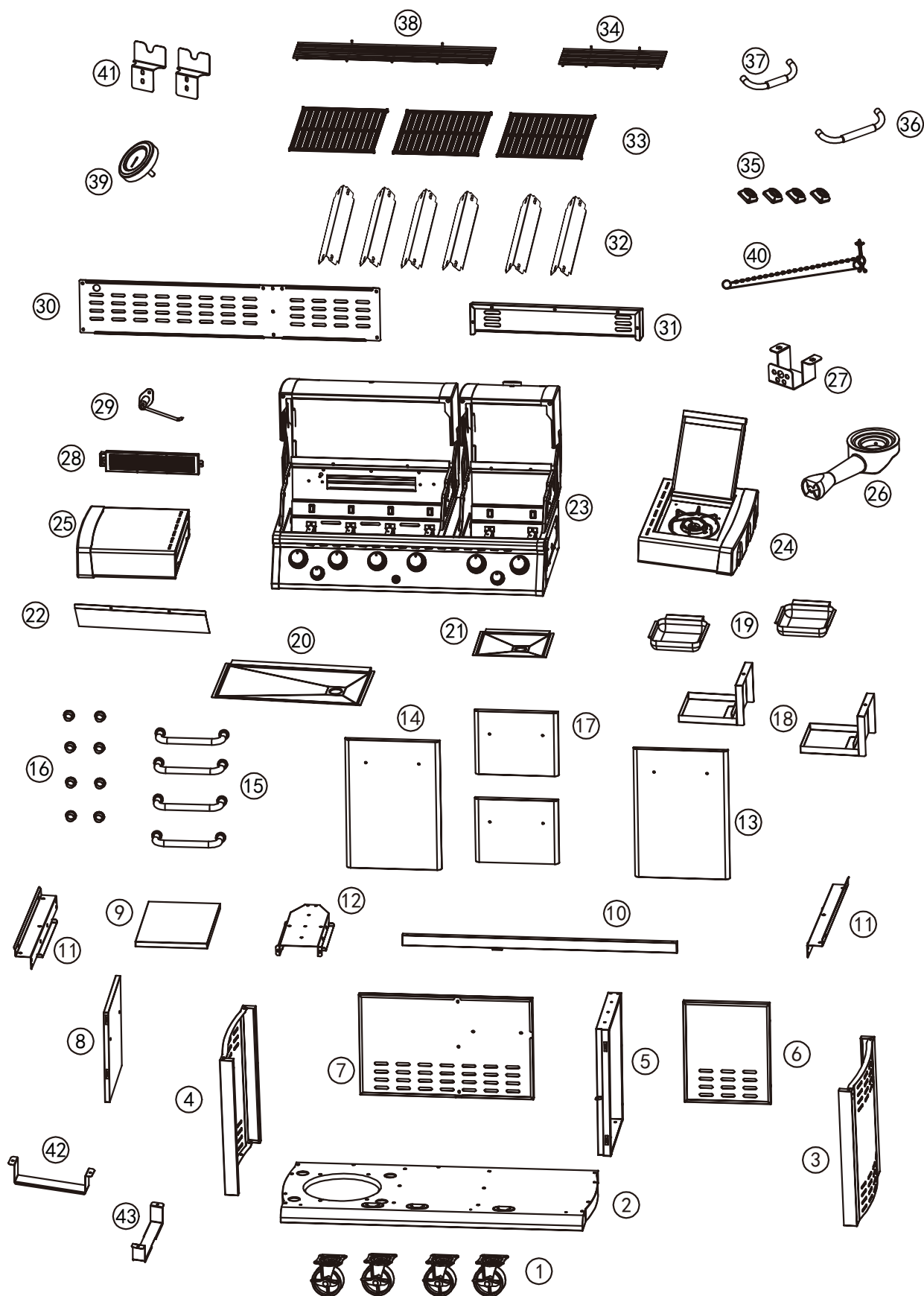
Use outdoors only! Do not use it in a building, garage or any other enclosed areas.  
Read the instructions before assembling and using the appliance.  
DO NOT use the grill unless it is completely assembled and all the parts are securely fastened.  
This grill will become very hot, do not move it during operation. Keep children and pets away.

### CONTACT US FIRST!

This grill has been made to high quality standards. If you have any questions that are not addressed in this manual, or you need parts, please call our customer service hotline or send an email to [service@royalgourmetusa.com](mailto:service@royalgourmetusa.com)














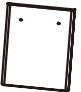




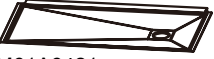


















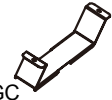
Learn more at:






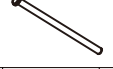







[www.royalgourmetcorp.com](http://www.royalgourmetcorp.com)



# Parts List Hardware List



① Caster 4pcs  W-52930001	② Bottom shelf 1pc  H-M61A6604	③ Side shelf right 1pc  Z-M61A6332	④ Side shelf left 1pc  Z-M61A6331
⑤ Middle shelf 1pc  H-M61A6607	⑥ Rear shelf right 1pc  Z-M61A6604	⑦ Rear shelf left 1pc  Z-M61A6603	⑧ Middle panel 1pc  Z-M61A6608
⑨ Connect panel 1pc  Z-M61A6609	⑩ Cart front beam 1pc  H-M61A6601	⑪ Firebox brace 2pcs  Z-M61A6322	⑫ Middle brace 1pc  Z-M61A6612
⑬ Right door 1pc  ZH-M61A659	⑭ Left door 1pc  ZH-M61A658	⑮ Door handle 4pcs  W-M61A6313	⑯ Handle base 8pcs  W-A0403
⑰ Middle door 2pc  ZH-M61A668+ZH-M61A669	⑱ Grease cup base 2pcs  Z-M61A6325	⑲ Grease cup 2pcs  Z-DXL12047	⑳ Grease tray left 1pc  Z-M61A6421
㉑ Grease tray right 1pc  Z-M61A6221	㉒ Thermal baffle 1pc  Z-M61A6436	㉓ Firebox 1pc  Z-M61A6308	㉔ Side burner shelf 1pc  ZH-M61A635
㉕ Side table 1pc  ZH-M61A634	㉖ Side burner 1pc  W-M61A6314	㉗ Side burner brace 1pc  Z-M61A6308	㉘ Rear burner 1pc  W-53640002
㉙ Electrode 1pc  W-M61A6336	㉚ Rear board 1pc  Z-M61A6616	㉛ Rear burner board 1pc  Z-M61A6437	㉜ Flame tamer 6pcs  Z-M6BPS060
㉝ Cooking grate 3pcs  W-M61A6402	㉞ Warming rack right 1pc  W-M61A6201	㉟ Handle bracket 4pcs  W-M61A6310	㊱ Handle left 1pc  W-M61A6309+W-M61A6303
㊲ Handle right 1pc  W-M61A6310+W-M61A6303	㊳ Warming rack left 1pc  W-M61A6401	㊴ Thermometer 1pc  W-20130049	㊵ Extension wire 1pc  W-GD430013
㊶ Grill rotisserie base 2pcs  Z-20130060	㊷ Tank base lower 1pc  Z-A3127-RGC	㊸ Tank base upper 1pc  Z-A3128-RGC	

A M5X10 71pcs	B M6X12 24pcs	C M5X15 8pcs	D M5X60 4pcs	E Magnet 1pc	F 3pcs
					
G M4X8 14pcs	H Door screw 4pcs	I M6X10 8pcs	J Split pin 1pc	K M6 4pcs	L M10 2pcs
					
					M M6X15 8pcs
					

Before beginning assembly, make sure all parts are present. Compare parts with packaged contents list and diagram above. If any parts are missing or damaged, do not attempt to assemble the products. Contact customer service for replacement parts via telephone or email.



Phillips Screwdriver



Wrench

- Estimated assembly time: 40 minutes
- Tools required for assembly:  
Phillips Screwdriver (not included) and Wrench (not included)
- Note: The right and left sides of the grill are designed as if you are facing the front of the grill.

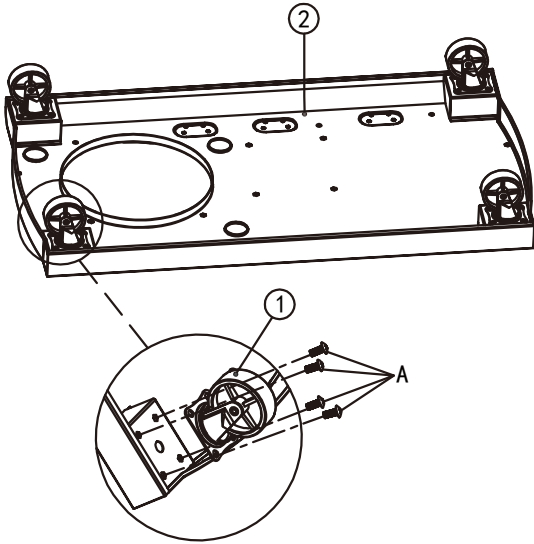


### CALIFORNIA PROPOSITION 65 WARNING

1. Fuels used in gas burning appliances and the combustion byproducts of such fuels, can expose you to chemicals including carbon monoxide, which is known to the State of California to cause birth defects or other reproductive harm.
2. This product can expose you to chemicals including nickel, which is known to the State of California to cause cancer. Handling the brass material on this product can expose you to lead, a chemical known to the State of California to cause cancer, birth defects or other reproductive harm.

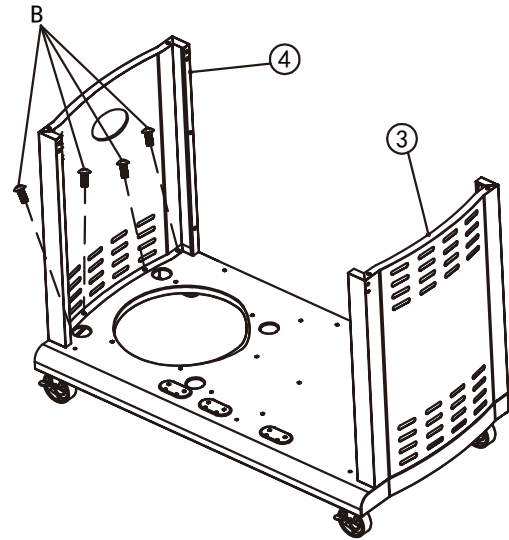
For more information go to: [www.P65Warnings.ca.gov](http://www.P65Warnings.ca.gov)

Step 1



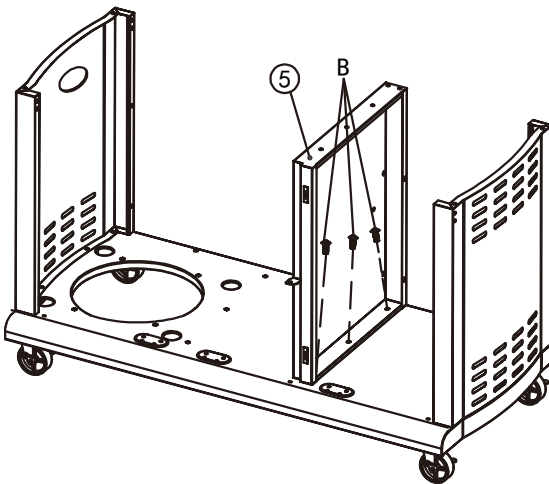
Assemble the casters (1) to bottom shelf (2) with 16 bolts (A).

Step 2



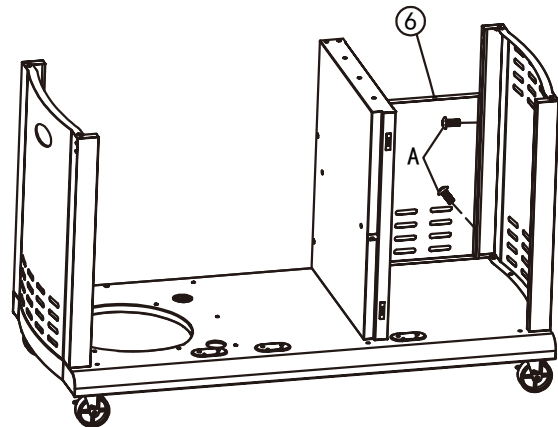
Assemble side shelf right (3) and side shelf left (4) to bottom shelf with 8 bolts (B).

Step 3



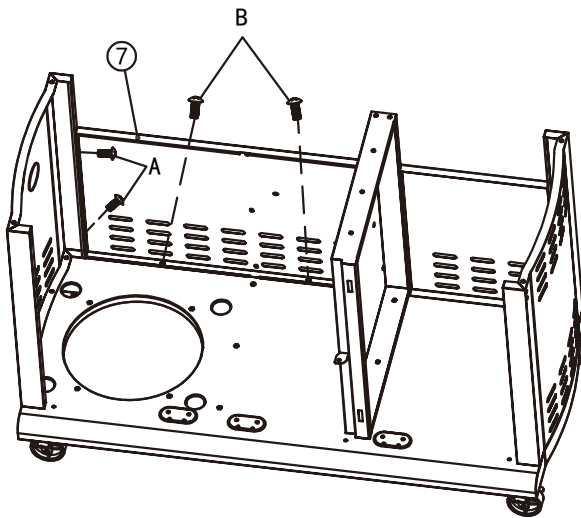
Assemble the middle shelf (5) to bottom shelf with 3 bolts (B).

Step 4



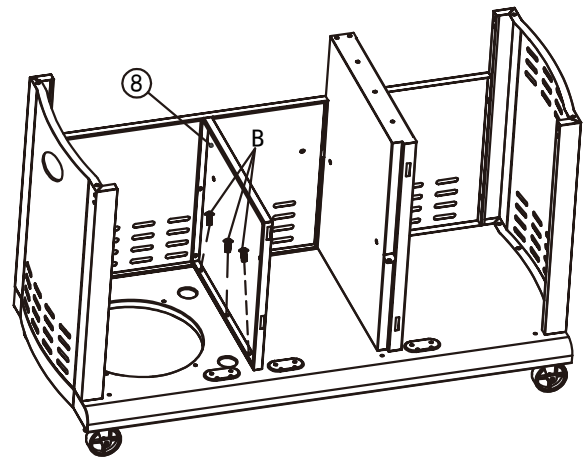
Assemble rear shelf right (6) to right side shelf and middle shelf with 4 bolts (A).

Step 5



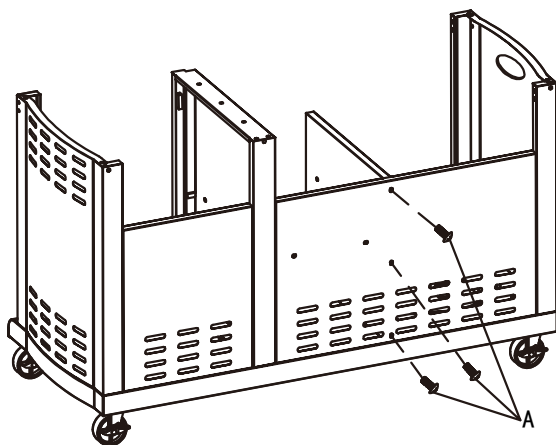
Assemble the rear shelf left (7) to left side shelf, middle shelf and bottom shelf with 4 bolts (A) and 2 bolts (B).

Step 6



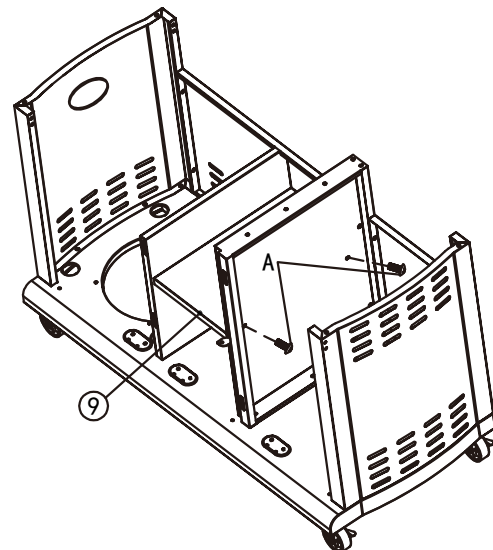
Assemble the middle panel (8) to bottom shelf with 3 bolts (B).

Step 7



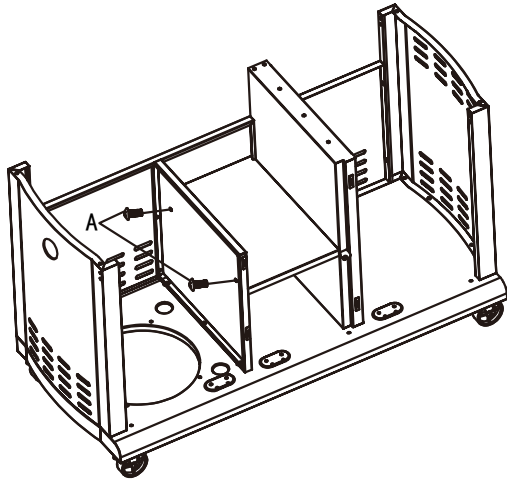
Fasten the middle panel to rear shelf with 3 bolts (A).

Step 8



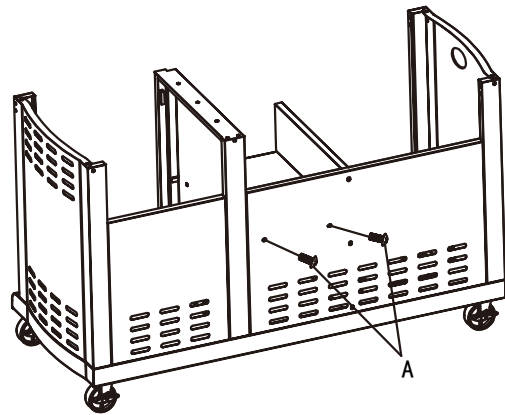
Fasten the connect panel (9) to middle shelf with 2 bolts (A).

Step 9



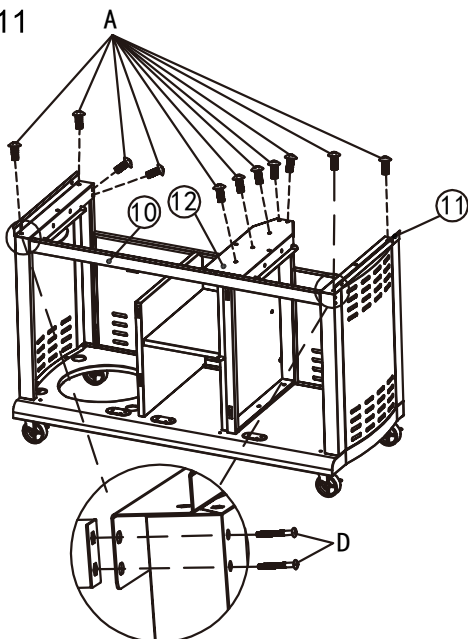
Fasten the connect panel to middle panel with 2 bolts (A).

Step 10



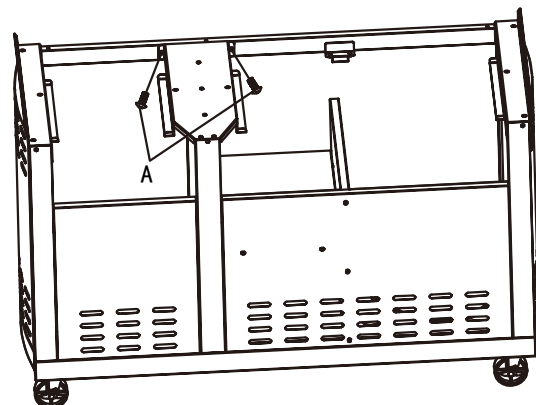
Fasten the connect panel to rear shelf with 2 bolts (A).

Step 11



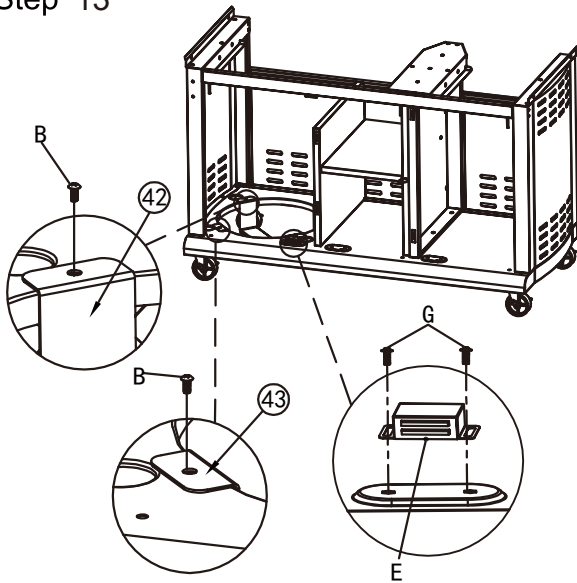
Assemble the middle brace (12) to middle shelf with 5 bolts (A).  
 Assemble the firebox braces (11) to side shelves with 8 bolts (A).  
 Assemble the cart front beam (10) to side shelves with 4 bolts (D).  
 Please note, make the bolts D insert through the firebox braces.

Step 12



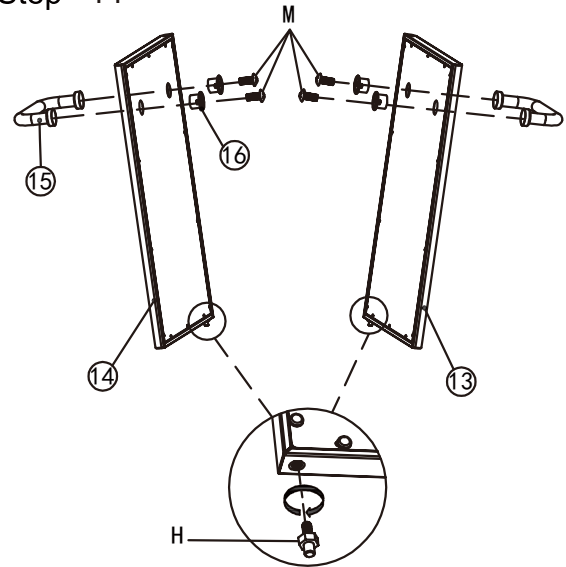
Fasten the middle brace to front beam with 2 bolts (A).

Step 13



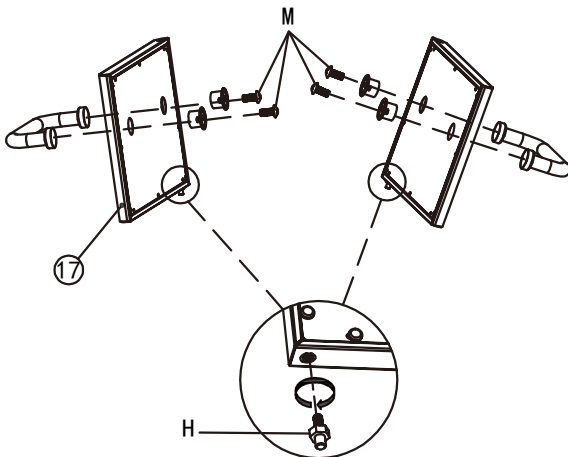
Install the magnet (E) to shown position of bottom shelf with 2 bolts (G).  
Install tank base lower (42) to the bottom shelf with 2 bolts (B).  
Install tank base upper (43) to the bottom shelf with 2 bolts (B).

Step 14



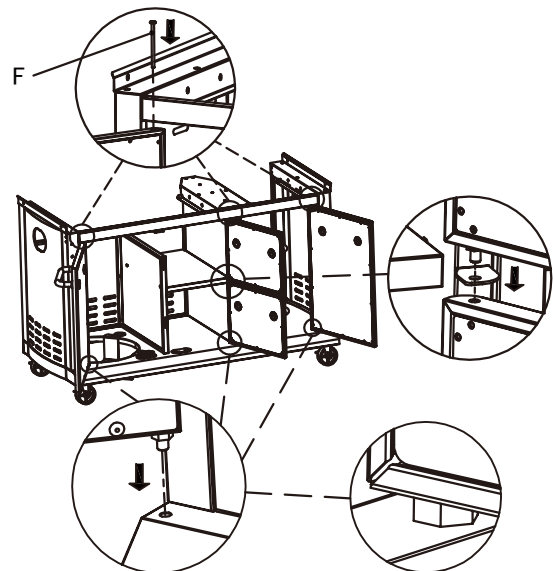
Assemble the door handles (15), handle bases (16) to left and right doors with 4 bolts (M).  
Screw 2 (H) underneath the doors.

Step 15



Assemble the door handles (15), handle bases (16) to middle doors (17) with 4 bolts (M).  
Screw 2 (H) underneath the doors.

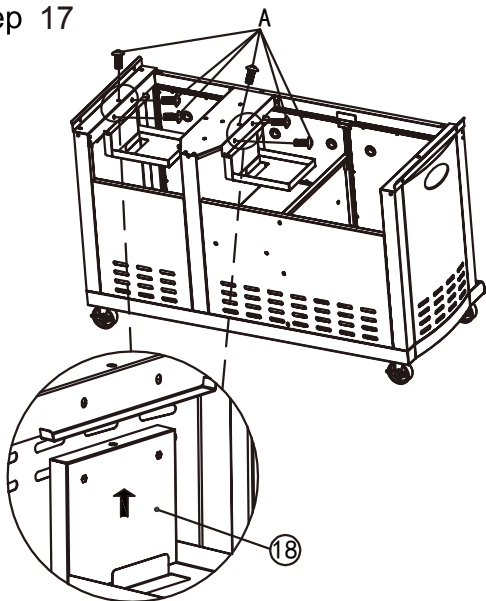
Step 16



Assemble the doors: connect to bottom shelf and middle shelf via H, connect to front beam by 3 (F). Please note, connect the middle doors and middle shelf together via H.

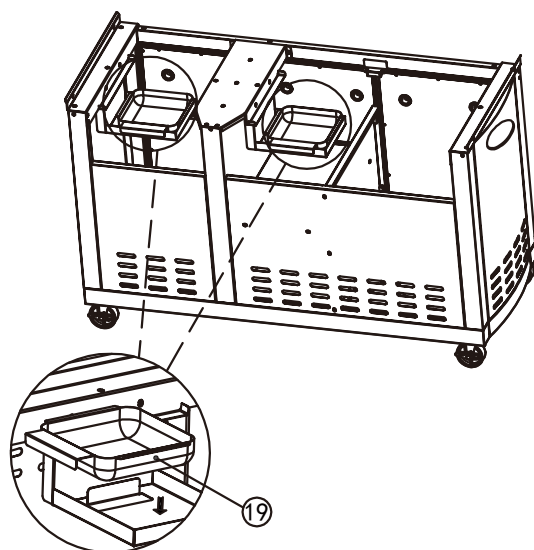


Step 17



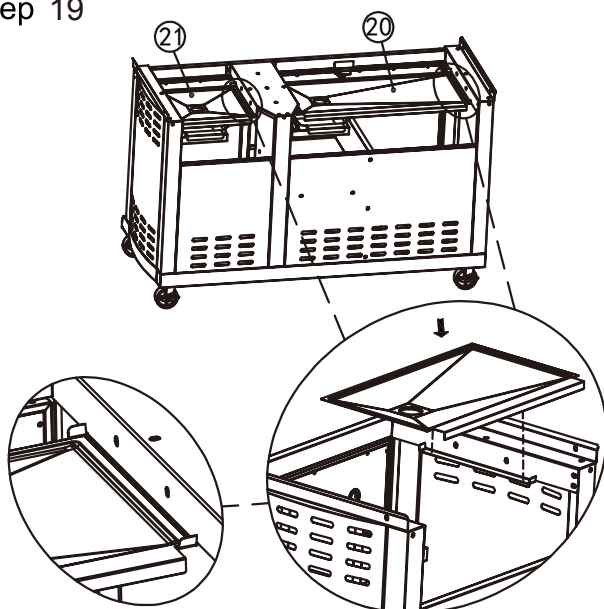
Assemble the grease cup bases (18) to right side shelf, and middle brace, fasten them underneath firebox brace and middle brace with 6 bolts (A).

Step 18



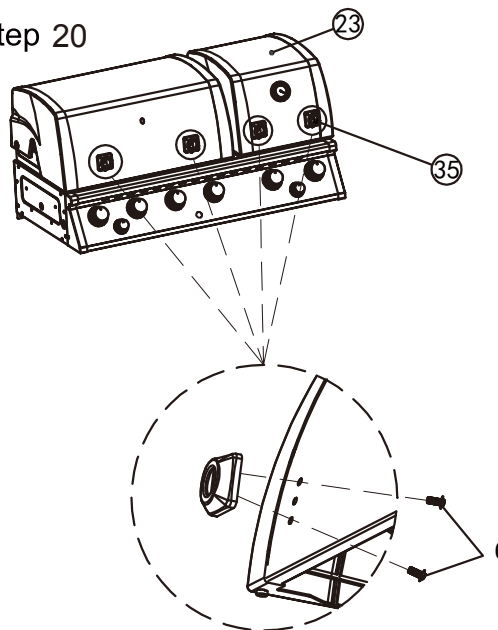
Place the grease cups (19) onto the bases.

Step 19



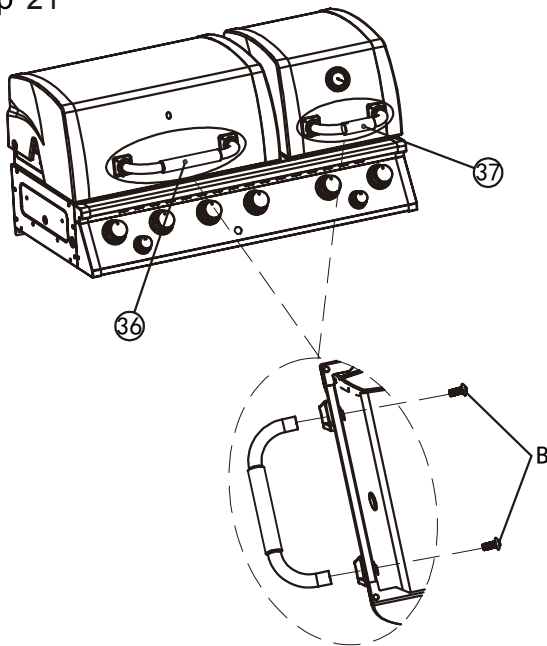
Place the grease trays (20) , (21) onto the firebox braces and middle brace accordingly.

Step 20



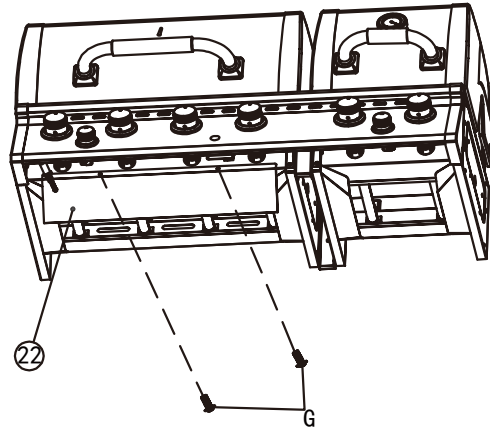
Assemble handle brackets (35) to lids with 8 bolts (C).

Step 21



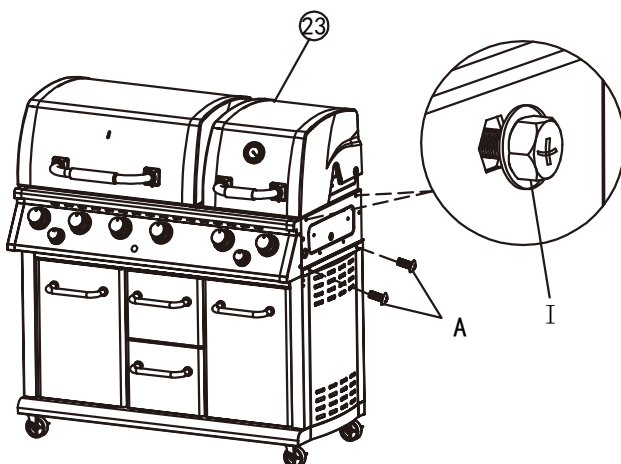
Insert the handles (36)(37) to handle brackets, secure them from inside of the lids with 4 bolts (B).

Step 22



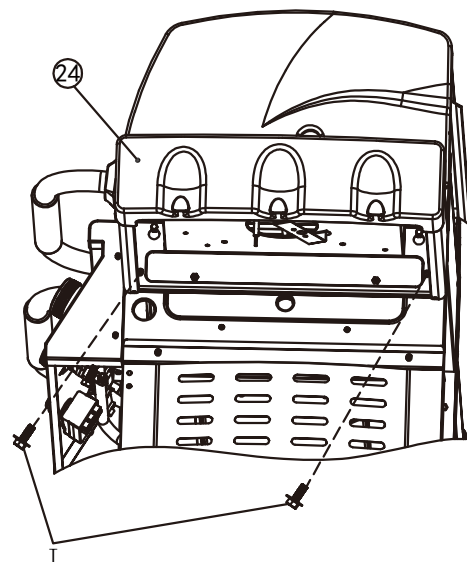
Assemble the thermal baffle (22) underneath the firebox with 2 bolts (G).

Step 23



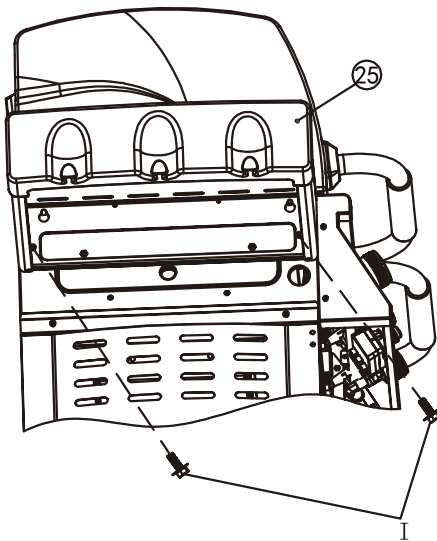
Place the firebox (23) onto the braces, fasten it with 4 bolts (A).  
Screw 4 bolts (I) halfway to both upper sides of firebox, for assembling side table/burner.

Step 24



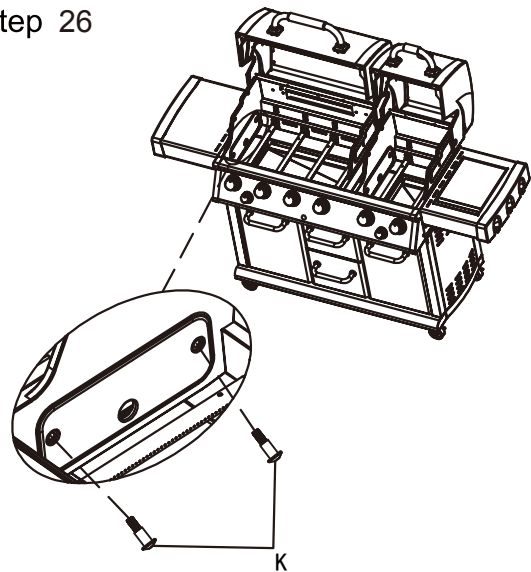
Align and hang the side burner shelf (24) onto the halfway bolts (I), and secure them.  
Fasten it with another 2 bolts (I) as shown.

Step 25



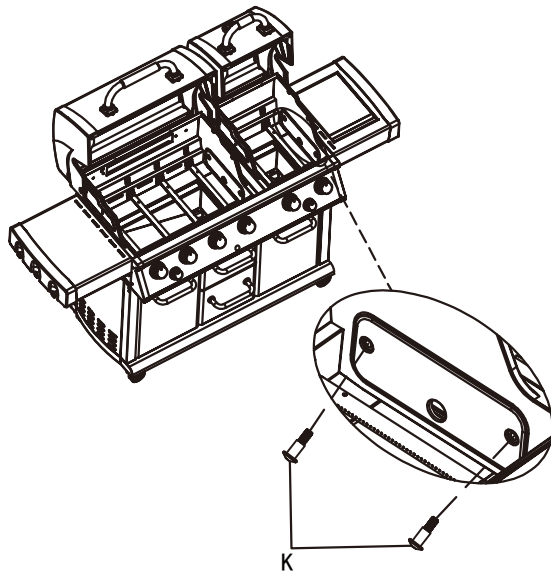
Align and hang the side table (25) onto the halfway bolts (I), and secure them.  
Fasten it with another 2 bolts (I) as shown.

Step 26



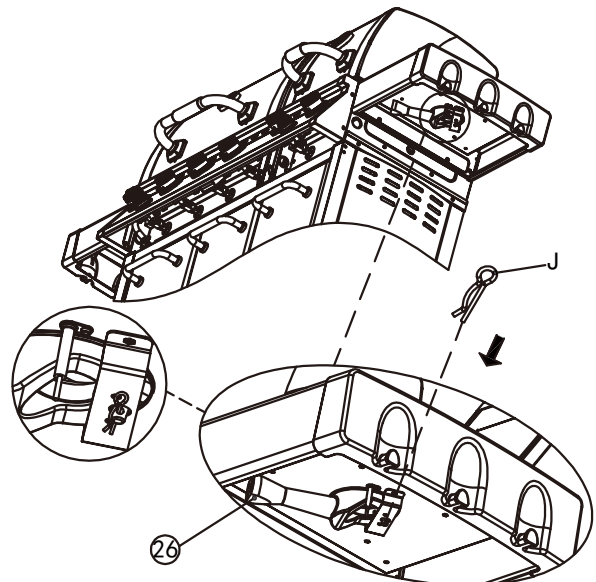
Fasten side table to the firebox with 2 bolts (K).

Step 27



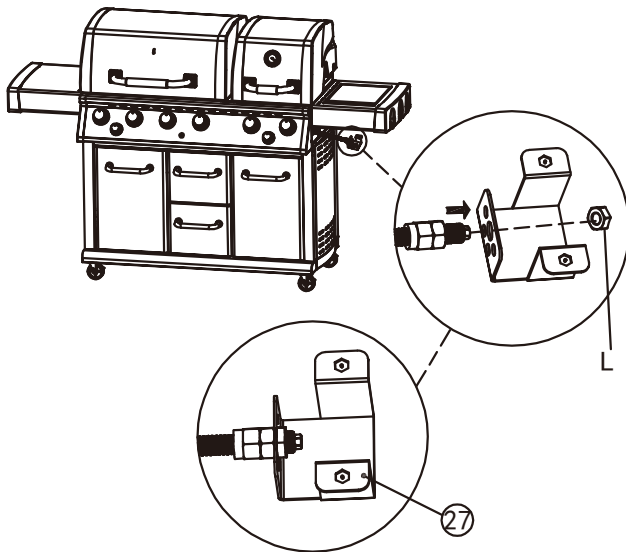
Fasten side burner shelf to the firebox with 2 bolts (K).

Step 28



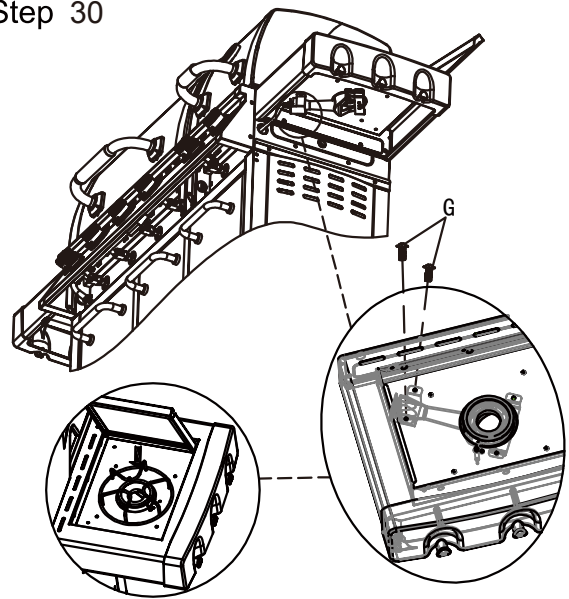
Assemble the side burner (26) underneath the side table shelf, secure it by 1 split pin (J) as shown.

Step 29



Make the tube terminal insert to the side burner brace (27), secure it with 1 nut (L).

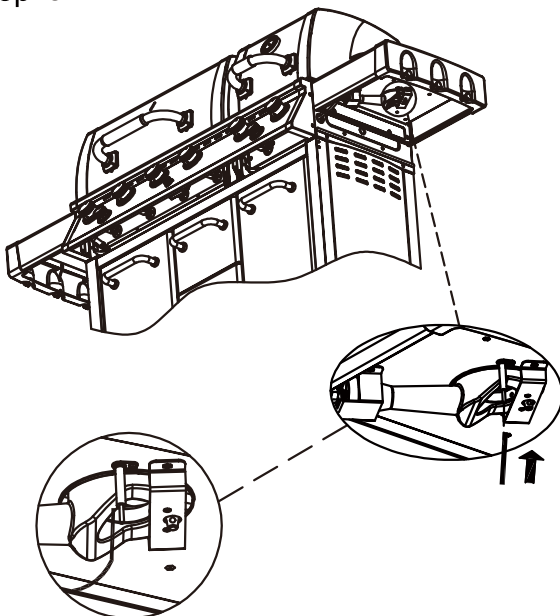
Step 30



Connect the tube terminal to the side burner, fasten the side burner brace underneath the side burner shelf with 2 bolts (G).

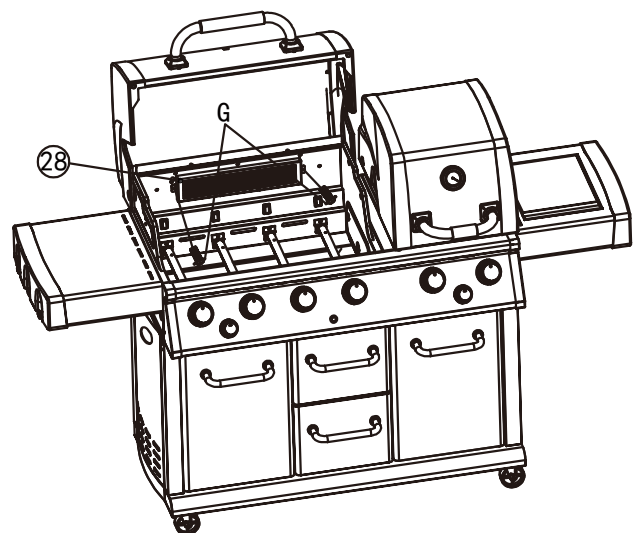
Place the side burner grate back to the side burner shelf.

Step 31



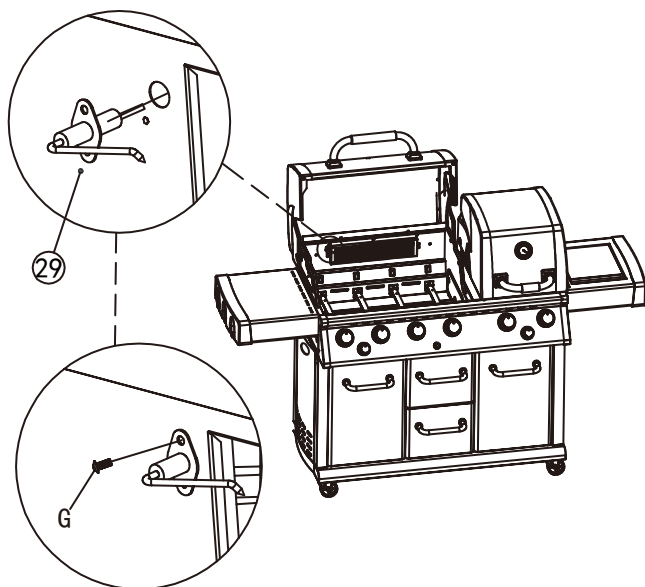
Insert the ignition line to the electrode hole as shown.

Step 32



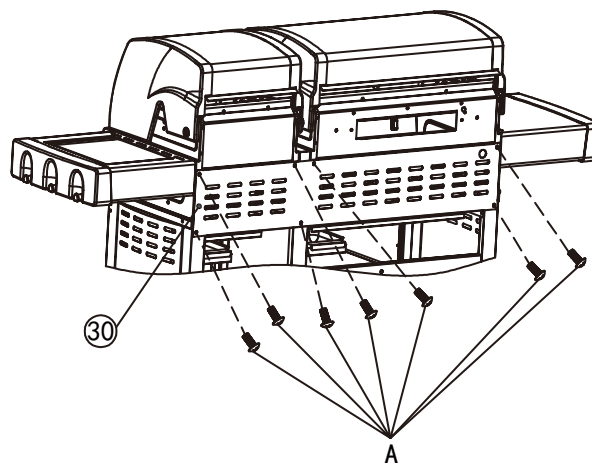
Assemble the rear burner (28) to the firebox with 2 bolts (G).

**Step 33**



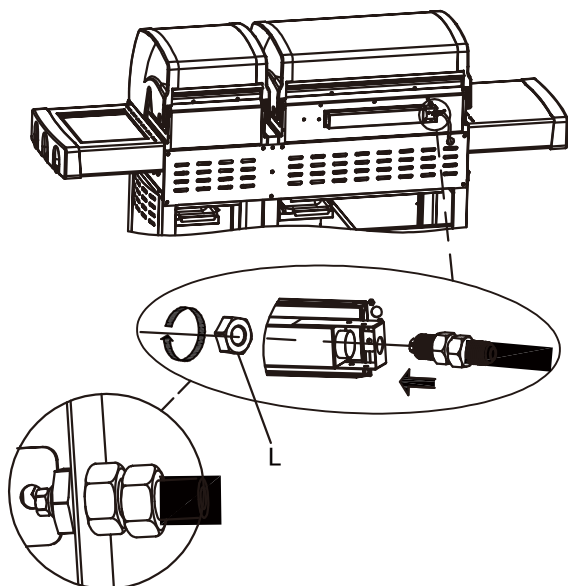
Assemble the rear burner electrode (29) to firebox with 1 bolt (G).

**Step 34**



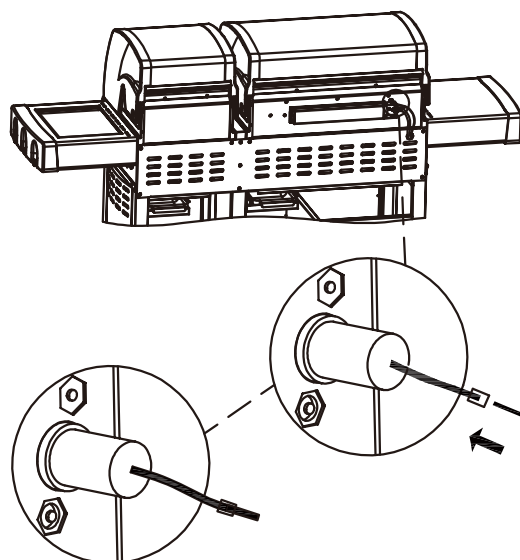
Make the tube insert through the rear board (30), fasten the rear board to firebox and side shelves with 7 bolts (A).

**Step 35**



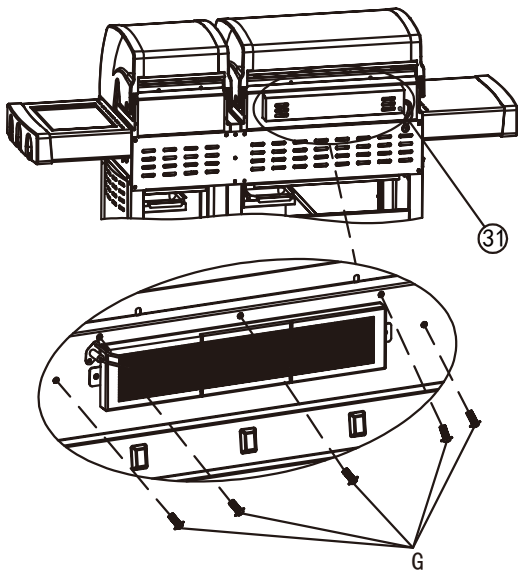
Connect the tube terminal to the rear burner, secure it with 1 nut (L).

**Step 36**



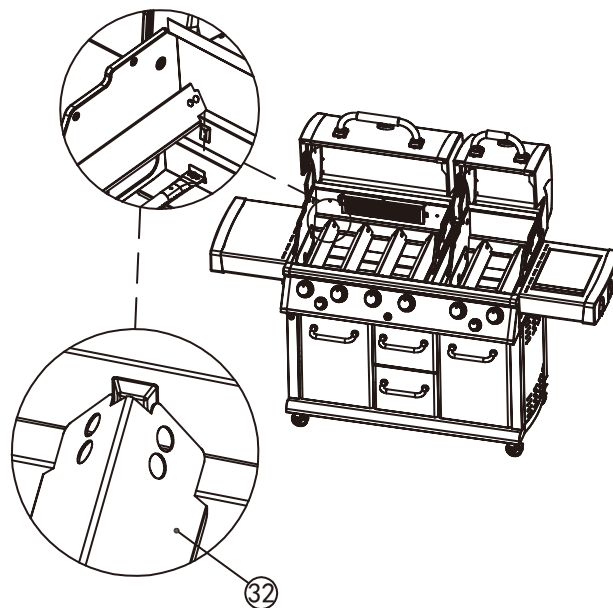
Insert the ignition line to the electrode hole of rear burner as shown.

Step 37



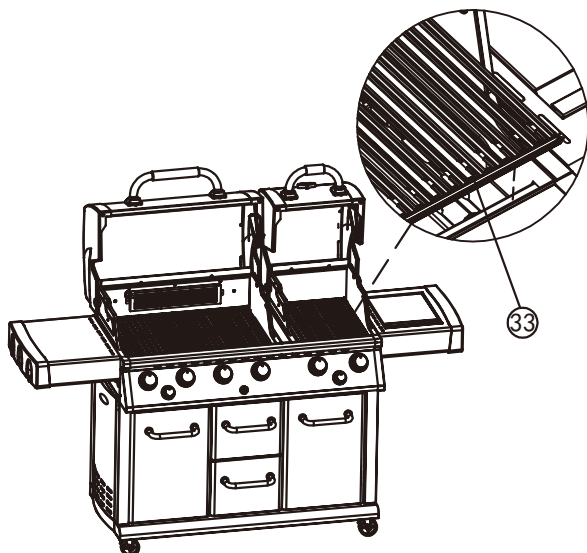
Assemble the rear burner board (31) to firebox with 5 bolts (G).  
Please note, fasten the bolts inside the firebox.

Step 38



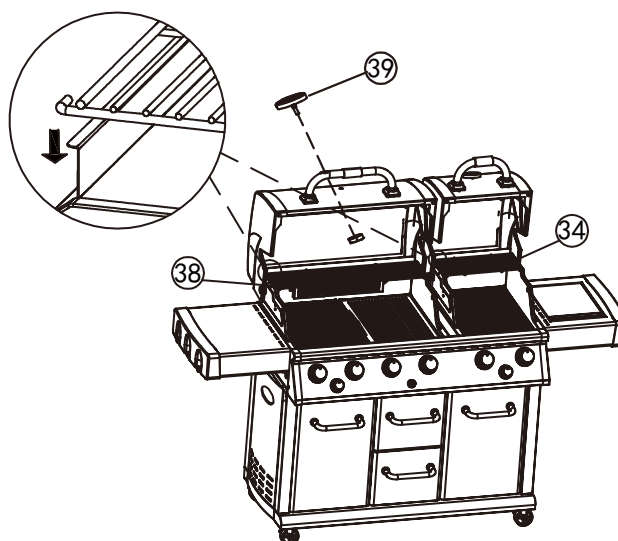
Place the flame tamers (32) into the firebox.

Step 39



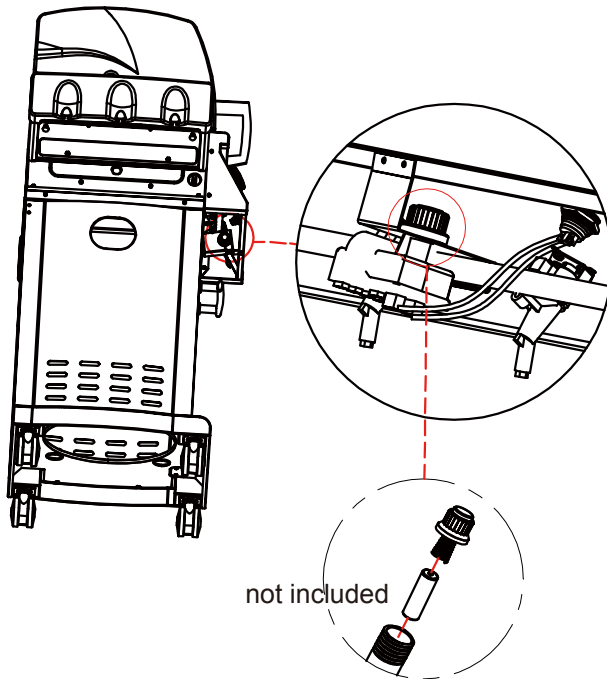
Place the cooking grates (33) into the firebox.

Step 40



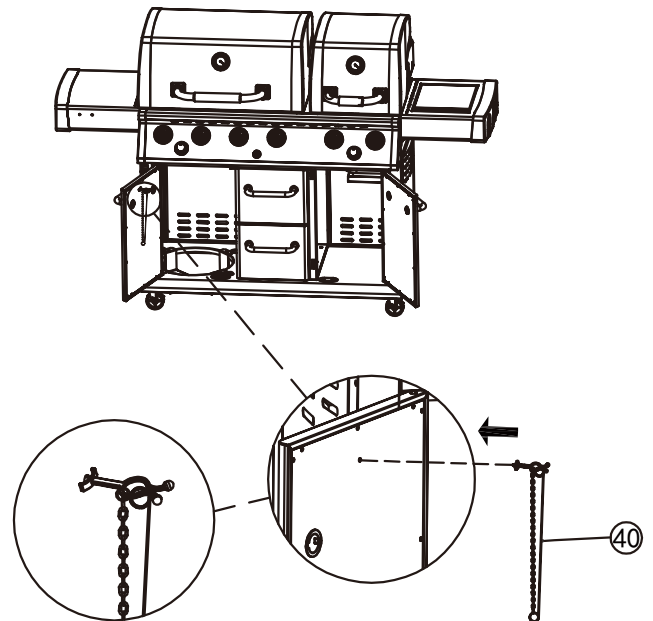
Place the warming racks (34), (38) into the firebox.  
Assemble the thermometer (39) to the lid.

Step 41



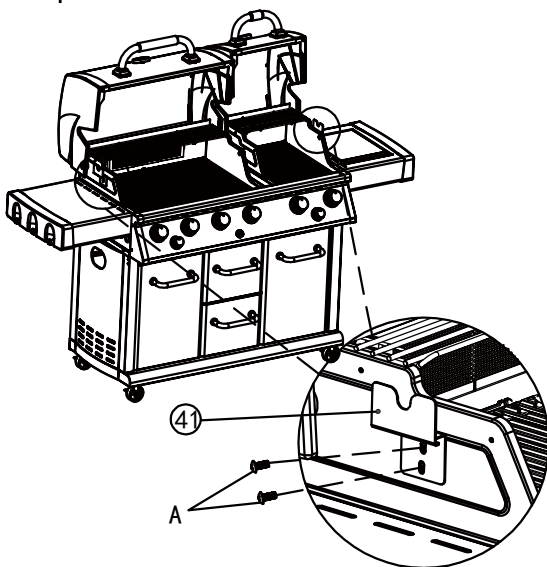
Put the AA battery into the igniter.

Step 42



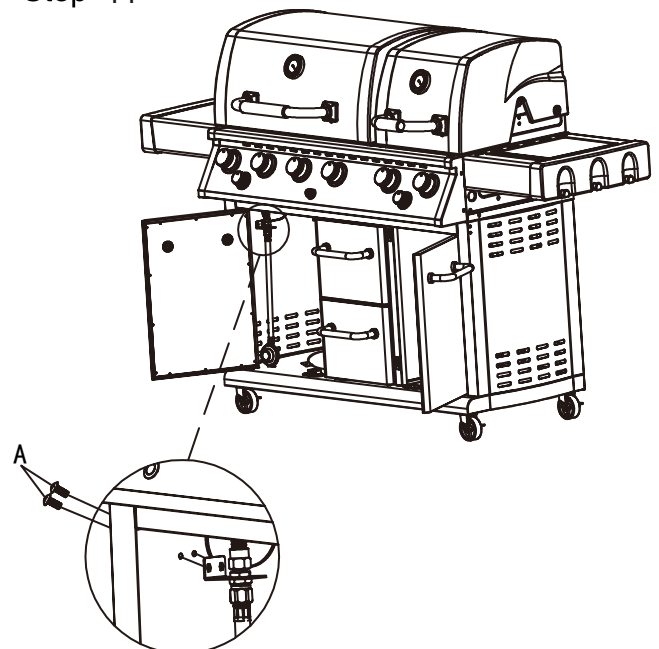
Insert the extension wire (40) to the left door.

Step 43



Assemble the grill rotisserie bases (41) to the firebox with 4 bolts (A).  
Recommended length for the grill rotisserie is 51".  
Grill rotisserie is not included.

Step 44



Assemble the hose brace to side shelf left with 2 bolts (A).